

A LUMINAIRE THAT BRINGS THE MAGIC OF A **BLUE-SKY** INDOORS

PROJECT: _____
 FIXTURE TYPE: _____



SkyView™ Day Mode Helps Boost



MOOD



FOCUS



ALERTNESS

SkyView™ Tile by BIOS Lighting is a revolution in healthy blue-sky lighting, designed to support mood, focus, alertness and circadian rhythm.

It's the only luminaire on the market that achieves ALL of the following:

- Proven to boost Mood, Focus and Alertness
- Meets the Daytime Blue Sky Criteria of m-EDI > 250 vertical lux as per RP-46-25 & WELL
- Low Glare, UGR < 19
- Uses simple controls, no commissioning

ORDERING GUIDE

Example: SVT-2x2-3000-DO-0-10V-MVOLT-QS

SVT – 2x2 – – DO – – – – –

Fixture Type	Size	Lumen Output	Mode
SVT: SkyView™ Tile	2x2	3000 lm	DO: Day Only
		4000 lm	
		5000 lm	

Dimming	Input Voltage	Shipping	Finish
0-10V: 0-10V	MVOLT: 120-277	QS: Quick Ship (White finish only)	____ : White
		ST: Standard Lead Time (Black finish only)	BLK: Black



DESIGN OPTIONS

Melanopic Ratio

M-DER 1.1
M-EER or MP Ratio 1.2

Lumen Output

3000 lumens
4000 lumens
5000 lumens

Finishes



White

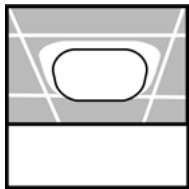


Black

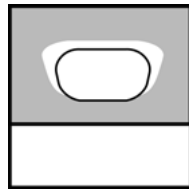


Custom

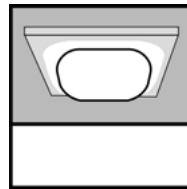
Mounting



Grid Mount



Recessed Mount



Surface Mount

Color Rendering

>91 CRI
>82 R9

TM-30

Rg 99
Rf 90

Sustainability and Wellness

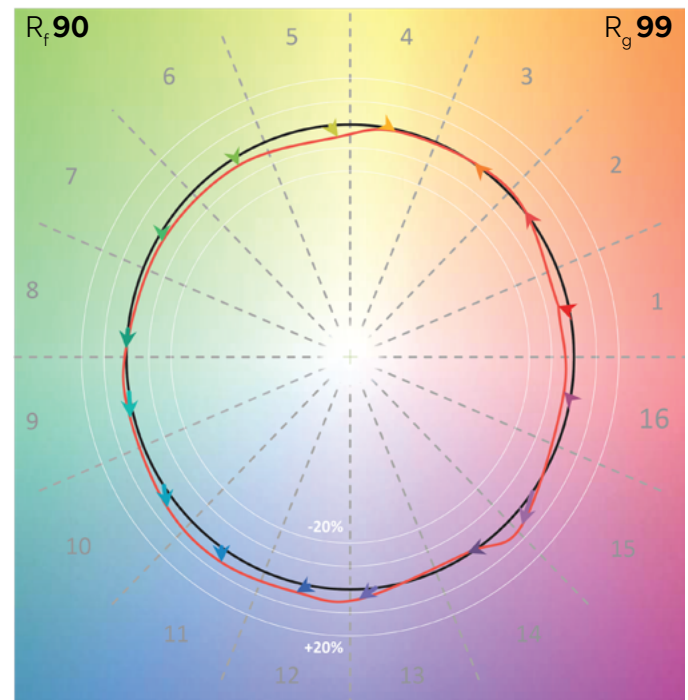
WELL • RP-46-25 • Declare Red List Approved

LIGHTING SYSTEM FEATURES

- Patented Blue Sky Gradient™ Technology, providing the benefits of a blue-sky day indoors
- Volumetric light distribution maintains uniformity ratios of <2:1
- Proven to boost mood, focus and alertness
- Declare Label - Red List Approved
- 0.4 W/ft² on a 10ft x 10ft grid
- L90 at 60000 hours

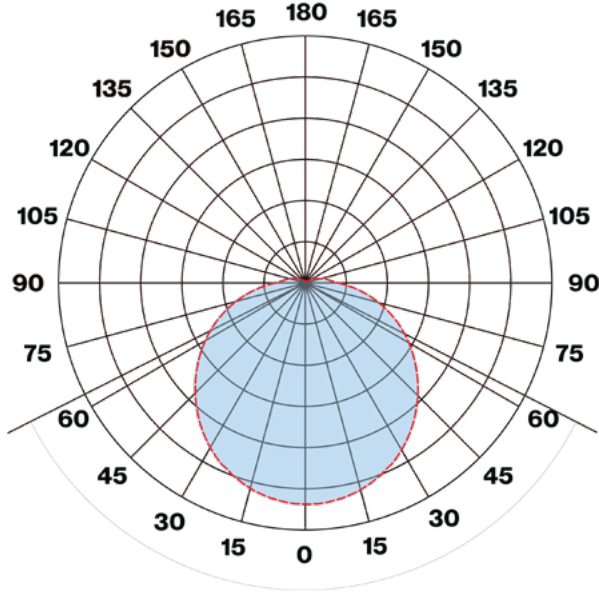
CRI	≥ 91
R9	≥ 82
TM-30	
Rg	99
Rf	90
Delivered CCT*	5300K

COLOR

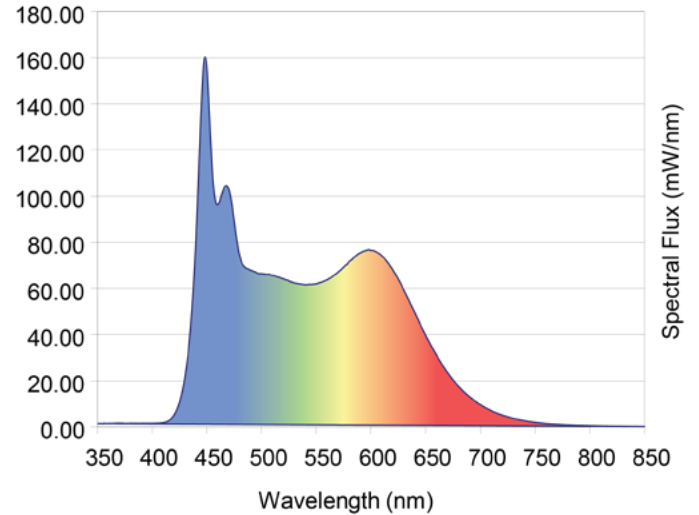


*CCT range is 15000K to 4000K with an average of 5300K.

LIGHT DISTRIBUTION



SPECTRAL POWER DISTRIBUTION CHART

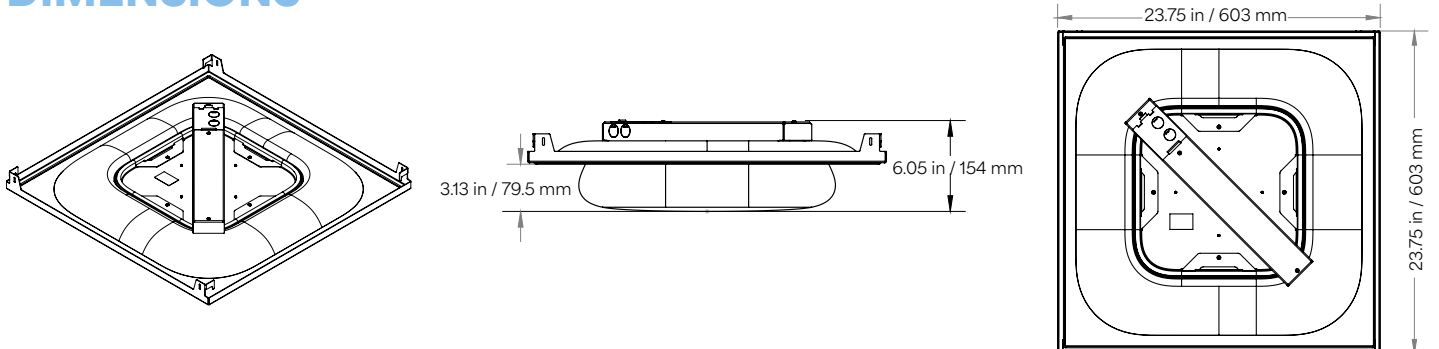


PERFORMANCE CHART

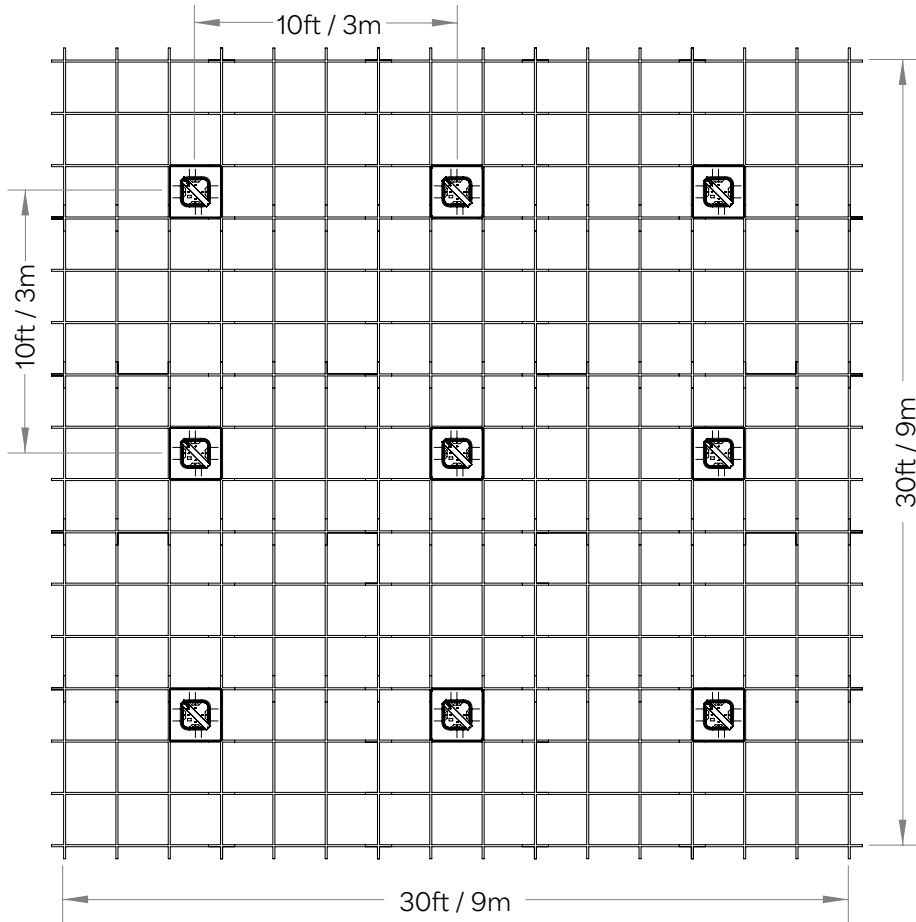
White (WHT) Finish					
Type	Lumens	Wattage	MP Ratio	MDER	Efficacy
3000 WHT	3790	31W	1.2	1.1	118 lm/W
4000 WHT	4858	42W	1.2	1.1	114 lm/W
5000 WHT	6095	55W	1.2	1.1	111 lm/W

Black (BLK) Finish					
Type	Lumens	Wattage	MP Ratio	MDER	Efficacy
3000 BLK	3180	31W	1.1	1.0	102 lm/W
4000 BLK	4212	42W	1.1	1.0	98 lm/W
5000 BLK	5084	55W	1.1	1.0	93 lm/W

DIMENSIONS



TYPICAL LIGHTING LAYOUT



Example placement of a 4000 lm fixture layout in a 30ft x 30ft / 9.14m x 9.14m room with a 10ft / 3.05m ceiling height, achieving 35 FC / 300 lux task plane luminance and 250 melanopic equivalent daylight illuminance (m-EDI).

UGR

Lumen Package	UGR
3000	16 WHT
3000	15 BLK
4000	17 WHT
4000	16 BLK
5000	18 WHT
5000	17 BLK

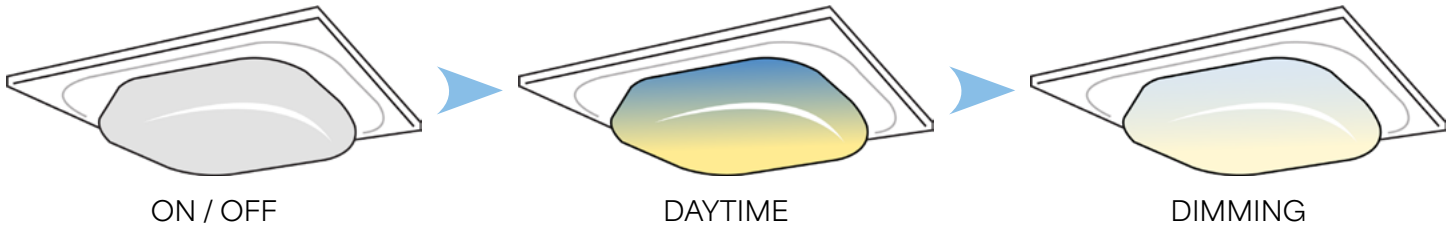
SUGGESTED SPACING GRID

Grid Spacing	Lumen Output	Horizontal FC	Vertical m-EDI	Ceiling Height	LPD
10ft x 10ft	4000	35	250	8.5ft - 10ft	0.40 W/ft ²
8ft x 8ft	3000	35	250	8ft	0.44 W/ft ²
12ft x 12ft	5000	35	250	10ft - 11ft	0.43 W/ft ²

LIFETIME EXPECTANCY

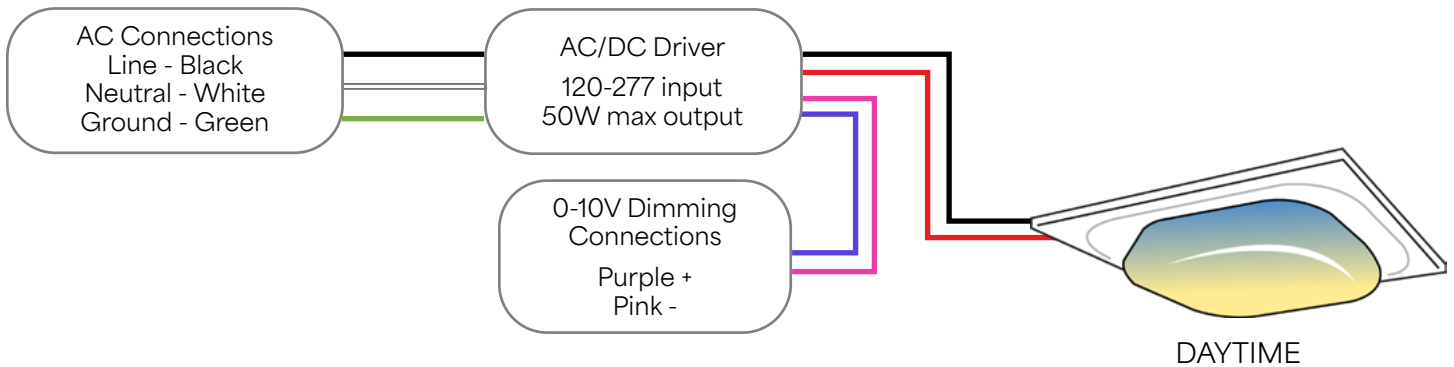
LM-80 Data
L70 > 60000 hours
L80 > 60000 hours
L90 > 60000 hours

CONTROLS



The daytime only **0-10V drivers** allow the user to turn the fixture on/off and dim it up and down to adjust light levels to meet building code.

WIRING DIAGRAM



TECHNICAL SPECIFICATIONS

CONSTRUCTION

- Formed 24 ga. steel housing
- Universal T-bar clips, seismic restraint tabs/tie-offs

OPTICAL

- Patented SkyView™ Blue Sky Gradient™ Technology light engine
- Precision molded high transmittance LLDPE plastic diffuser that is recyclable
- Long-life LED system designed for typical LM-80 lumen maintenance \geq L90 @ 60000 hours
- Available in 3000, 4000 and 5000 lumen packages with CRI \geq 90 and R9 \geq 82
- CCT range is 15000K to 4000K with a delivered CCT of 5300K

ELECTRICAL

- Driver Lifetime: 50000 hours
- Power Factor > 0.95
- Total Harmonic Distortion < 20%
- Dim level: Standard dim to dark 100-1% with Day/Evening 100-0.01%
- Surge Protection: Meets ANSI C82.11 spec and ANSI/IEEE C62.41
- Inrush Current: Meets NEMA 410

CONTROLS

- SkyView™ fixtures use standard building control protocols like 0-10V.
- SkyView™ Tile from BIOS Lighting supports integrated occupancy sensing and daylight harvesting controls to improve energy performances without compromising healthy Blue Sky outcomes.

ENVIRONMENT

- Designed for use in dry or damp indoor locations with ambient temperatures of 0-30° C or 32-86° F
- IP22 Rating
- Not suitable for natatorium environments

WEIGHT

- Maximum 10 lbs (4.54 kg) with standard driver

WARRANTY

- 5-year limited warranty on all components and workmanship

INDEPENDENT TESTING

- IESNA LM79
- IESNA LM80 (LED @ 10000 hours)

APPROVALS

- UL Listed (USA + Canada)
- RoHS Certificate of Conformity
- Declare Red List Approved