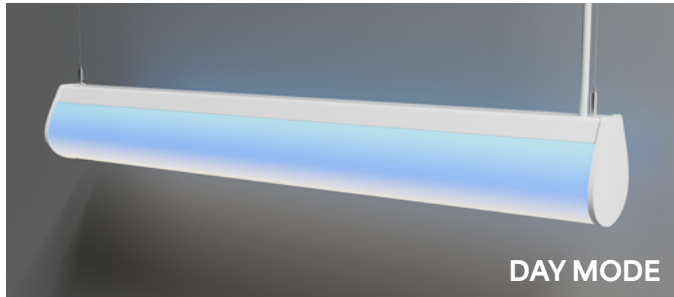
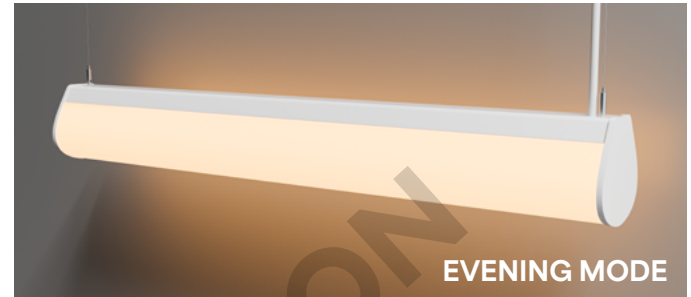


A LUMINAIRE THAT BRINGS THE ENERGY OF A **BLUE-SKY** INDOORS



PROJECT: \_\_\_\_\_

FIXTURE TYPE: \_\_\_\_\_



**The SkyView™ Linear** is a next-generation lighting solution designed to bring the biological benefits of Blue-Sky lighting into modern architectural environments. Engineered to deliver a blue sky-inspired light experience, this luminaire supports human performance by enhancing mood, focus, and alertness during the day, while offering a comfortable, low-impact spectrum for evening use.

**SkyView™ Linear** is built with longevity and adaptability in mind. The luminaire features **field-changeable light engines and drivers**, enabling easy upgrades as technology evolves or project requirements shift. Additionally, **replaceable lens** options allow for maintenance, aesthetic updates, or optical adjustments over time—thereby extending the product lifecycle and reducing waste.

- Available in 4ft, 8 ft lengths and continuous run
- Meets the Daytime Blue Sky Criteria of m-EDI > 250 vertical lux as per RP-46-25 & WELL
- Low Glare, UGR < 19
- Uses simple controls, no commissioning

### SkyView™ Day Mode Helps Boost



MOOD



FOCUS



ALERTNESS

## ORDERING GUIDE

Example: SVL

SVL – – – – –

Fixture Type	Length	Lumen Output	Mode
SVL: SkyView™ Linear	4 ft	600 lm/ft	<b>DO:</b> Day Only
	8 ft	800 lm/ft	<b>DBN:</b> BioDimmer™ Day/Night
	<b>#FT:</b> Continuous Run	1200 lm/ft	<b>D2N:</b> 2-Channel Day/Night

Dimming	Input Voltage	Finish
<b>SD:</b> 0-10V	<b>MVOLT:</b> 120-277	<b>WHT:</b> White
<b>DALI:</b> DT2 DALI8		<b>BLK:</b> Black













## DESIGN OPTIONS

### Daytime Melanopic Ratio

M-DER 1.14  
M-EER or MP Ratio 1.2

### Lumen Output

600 lumens/ft  
800 lumens/ft  
1200 lumens/ft

### Finishes



White

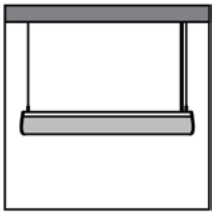


Black



Custom

### Mounting



Pendant Mount

### Color Rendering

>91 CRI  
>82 R9

### TM-30

Rg 99  
Rf 90

### Sustainability and Wellness

WELL • RP-46-25 • Declare Red List Approved

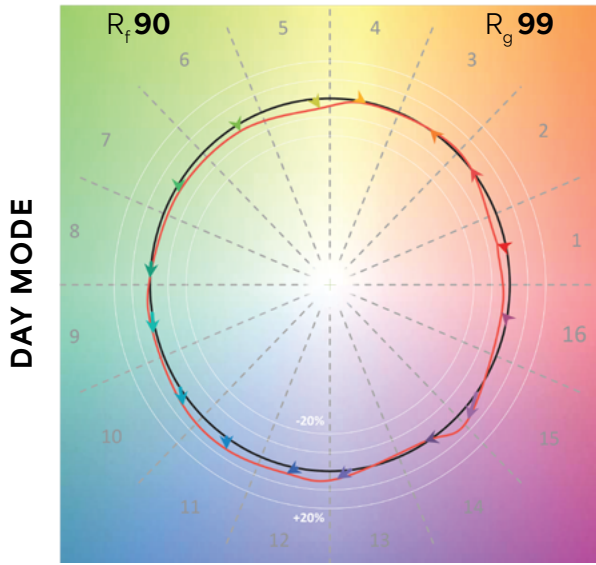
## LIGHTING SYSTEM FEATURES

Available in both 4 ft and 8 ft configurations, the SkyView™ Linear integrates seamlessly into a wide range of applications including offices, educational facilities, and healthcare environments. Its clean, architectural form factor ensures design flexibility without compromising performance.

At the core of the system is BIOS Lighting's advanced Blue-Sky technology, delivering a high melanopic signal aligned with emerging standards such as RP-46-25 and WELL V2. The system is designed with distinct Day Mode and Evening Mode capabilities, allowing users to support circadian entrainment without adding complexity to controls or installation.

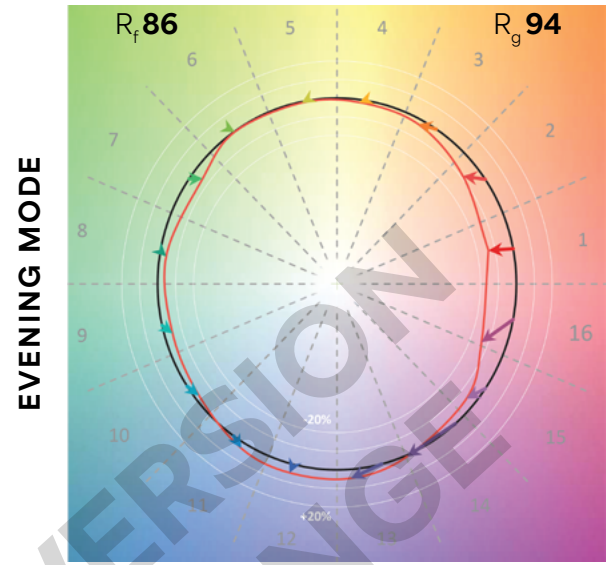
- Available in 4 ft and 8 ft lengths
- Blue-Sky Lighting gradient technology
- High melanopic output for daytime MDER 1.14
- Dedicated Day Mode and Evening Mode operation
- Field-changeable light engines
- Replaceable lenses
- Simple, standard control compatibility (0-10V and DALI 2)

## COLOR



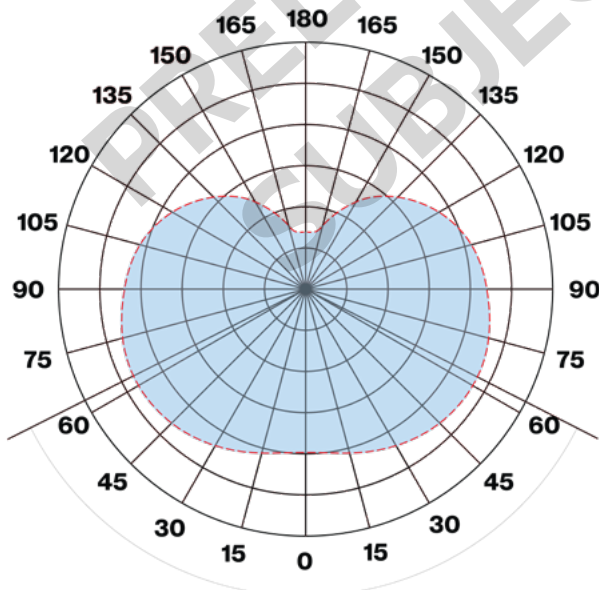
CRI	≥ 91
R9	≥ 82
TM-30	
Rg	99
Rf	90
Delivered CCT*	5300K

\*CCT range is 15000K to 4000K with an average of 5300K.

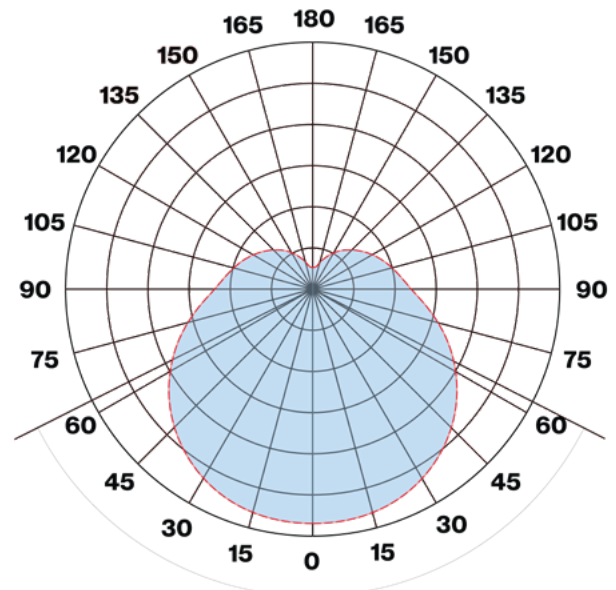


CRI	≥ 82
TM-30	
Rg	94
Rf	86
CCT	2300K

## LIGHT DISTRIBUTIONS

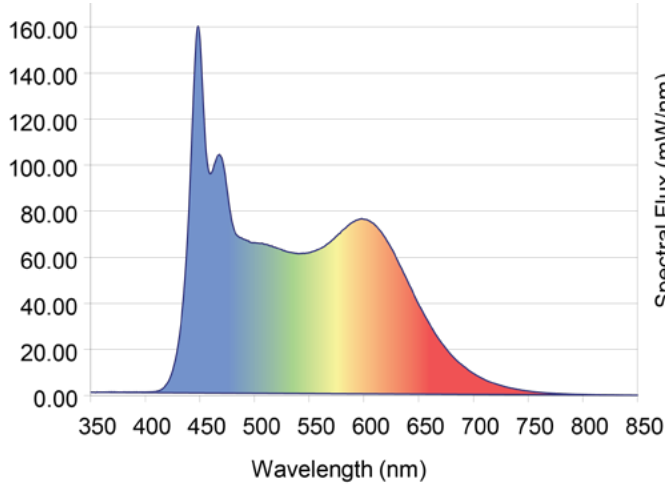


DAY MODE

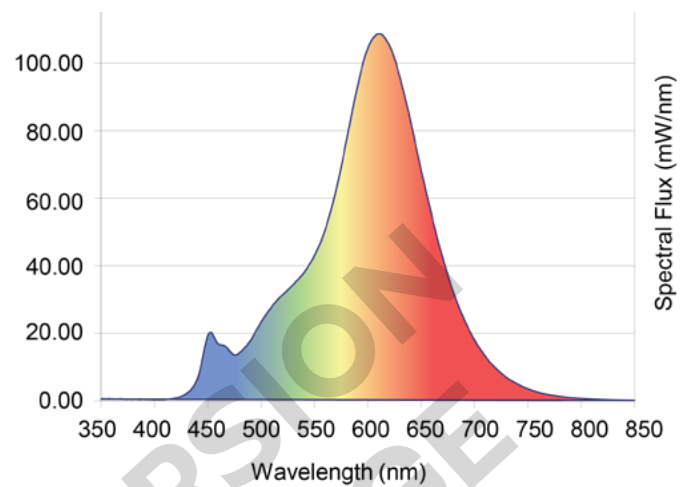


EVENING MODE

## SPECTRAL POWER DISTRIBUTION CHARTS

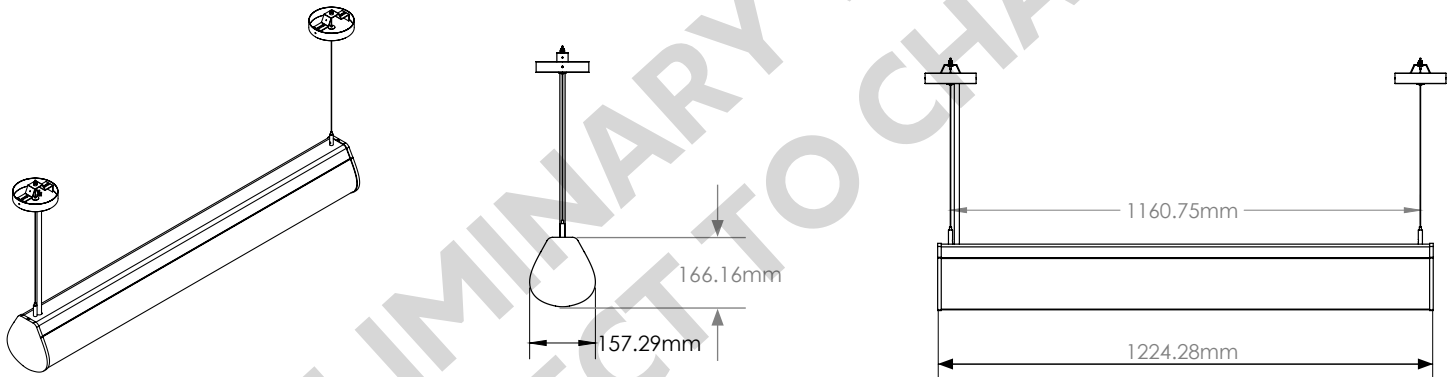


**DAY MODE**



**EVENING MODE**

## DIMENSIONS



## LIFETIME EXPECTANCY

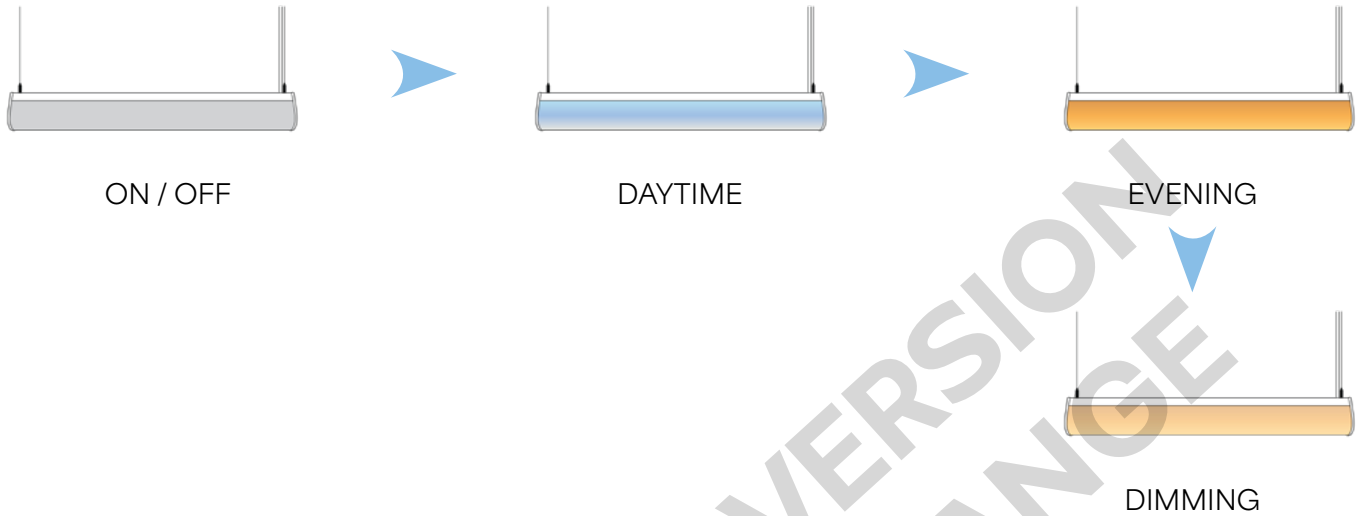
LM-80 Data

## UGR

Lumen Package	UGR
600 lm/ft	
800 lm/ft	
1200 lm/ft	

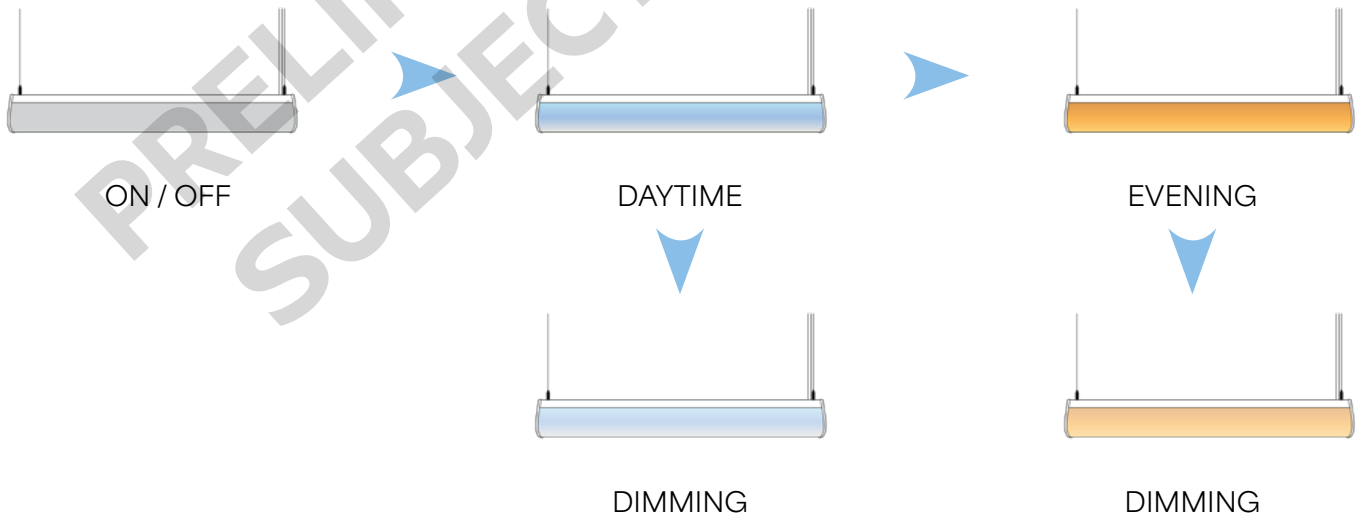
## CONTROLS

### 0-10V WITH BIO-DIMMING™ MODULE



The BIOS Bio-Dimming™ Module enables both spectrum and intensity control using a standard single-channel dimming circuit—no need for complex multi-channel systems. The bio-dimmer option uses a 0-10V driver to turn out fixtures on/off or change between our daytime and evening modes, similar to a dim-to-glow fixture. Intensity can only be adjusted on the evening mode with the bio-dimmer driver.

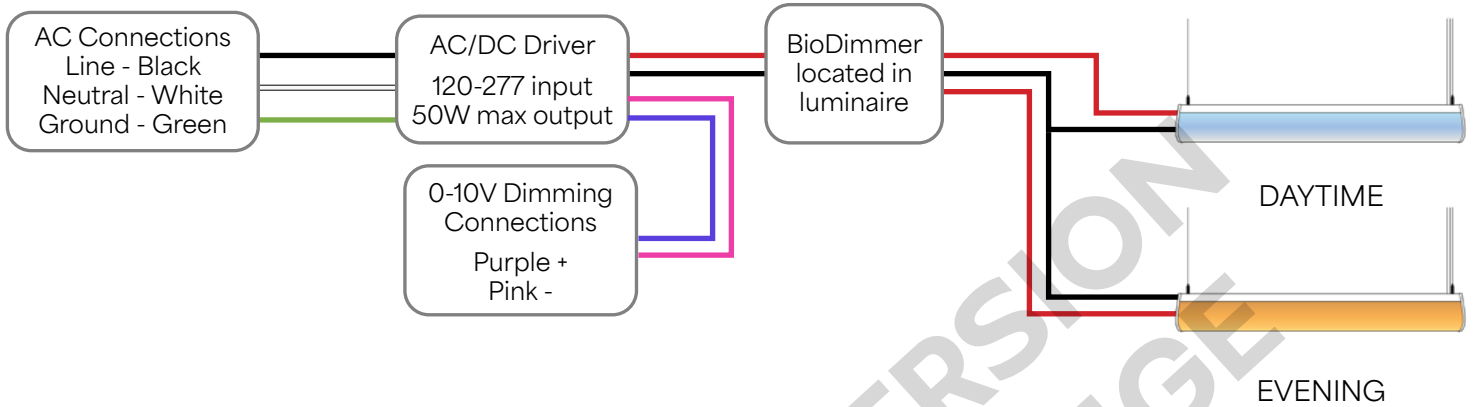
### DALI 2 DT8 CONTROLS



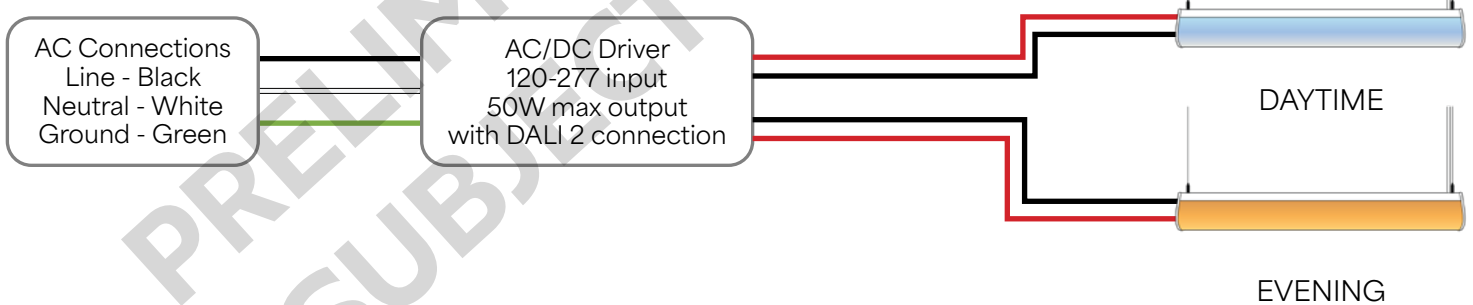
Our DALI 2 solution uses a DT8 driver. This allows the fixture to use a single DALI 2 address to change from daytime to evening mode as well as dimming for both modes.

## WIRING DIAGRAMS

### 0-10V WITH BIO-DIMMER



### DALI 2 DT8



## TECHNICAL SPECIFICATIONS

### CONSTRUCTION

- Extruded aluminum

### OPTICAL

- Patented SkyView™ Blue Sky Gradient™ Technology light engine
- Polycarbonate impact resistant lens
- Long-life LED system designed for typical TM21 lumen maintenance  $\geq$  L90 @ 60000 hours
- Available in 600, 800 and 1200 lumen per foot packages with CRI  $\geq$  90 and R9  $\geq$  80
- CCT range is 15000K to 4000K with a delivered CCT of 5300K

### ELECTRICAL

- Driver Lifetime: 50000 hours
- Power Factor > 0.95
- Total Harmonic Distortion < 20%
- Dim level: Standard Day/Evening 100-0.01%
- Surge Protection: Meets ANSI C82.11 spec and ANSI/IEEE C62.41
- Inrush Current: Meets NEMA 410

### CONTROLS

- SkyView™ fixtures use standard building control protocols, like 0-10V and DALI 2. Because SkyView™ products do not dynamically change CCT throughout the day like many tunable white or circadian fixtures on the market, simple room-level controls can be used. Wall box dimmers, distributed solutions, like power packs or even panel-based solutions can all control SkyView™ products.
- SkyView™ Linear from BIOS Lighting supports integrated occupancy sensing and daylight harvesting controls to improve energy performances without compromising circadian lighting outcomes.

### DALI DRIVER

- DALI 2 DT8 means that one DALI address controls intensity and day/evening

### ENVIRONMENT

- Designed for use in dry or damp indoor locations with ambient temperatures of 0-30° C or 32-86° F
  - IP22 Rating
- Not suitable for natatorium environments

### EMERGENCY

- The Optional Battery Pack delivers 10W Class 2-rated output for 90 minutes
- Uses 12W input energy to estimate emergency flux, typically 1150-1750 lm (@ 100-150 lm/W)

### WEIGHT

- Maximum 10 lbs (4.54 kg) with standard driver

### WARRANTY

- 5-year limited warranty on all components and workmanship

### INDEPENDENT TESTING

- IESNA LM79
- IESNA LM80 (LED @ 10000 hours)

### APPROVALS

- UL Listed (USA + Canada)
- RoHS Certificate of Conformity
- Declare Red List Approved